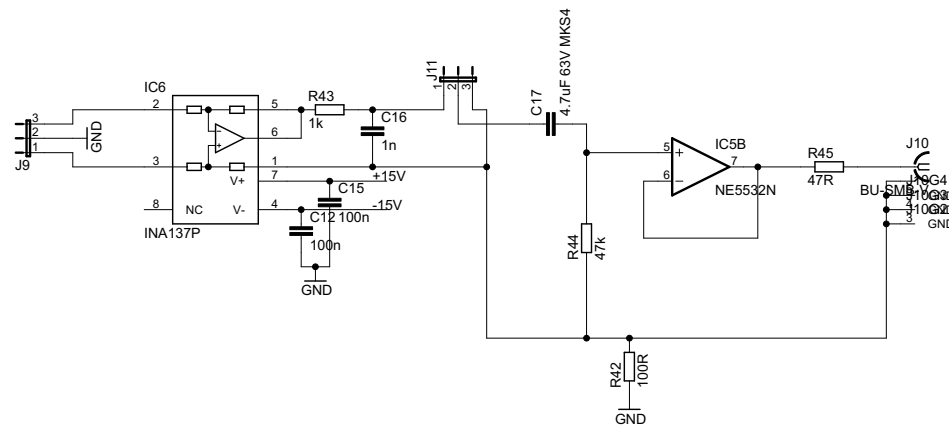
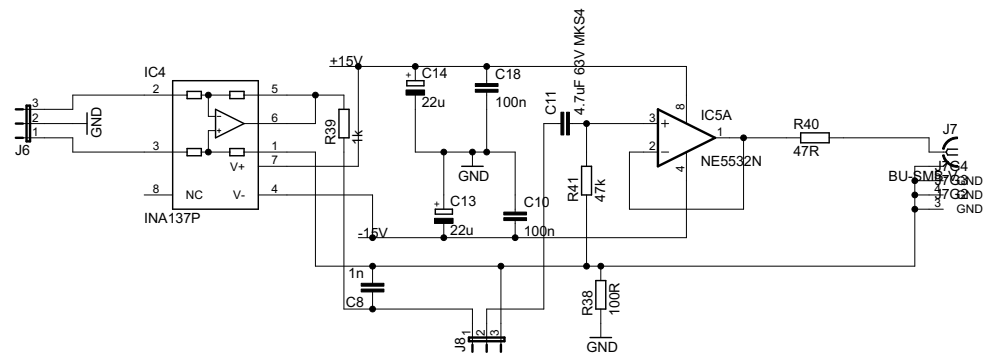


DC offset, anti-thump, overtemp	
TITLE: SelflessPreamp	
Document Number:	REV:
Date: 26/07/2011 08:22:54	Sheet: 1/2



Balanced line receiver	
TITLE: SelflessPreamp	
Document Number:	REV:
Date: 26/07/2011 08:22:54	Sheet: 2/2